

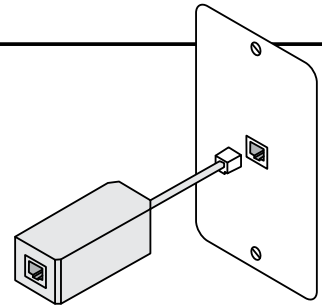
# Broadband Setup Guide

No tools needed.

Installs in minutes.

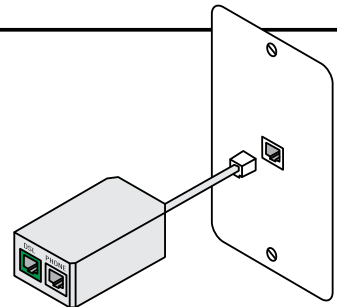
**1**

**Install filters into EVERY phone jack which is in use.** These prevent interference from phones, fax machines, TV devices, etc. (*Don't forget the satellite box or that old telephone in the garage!*)



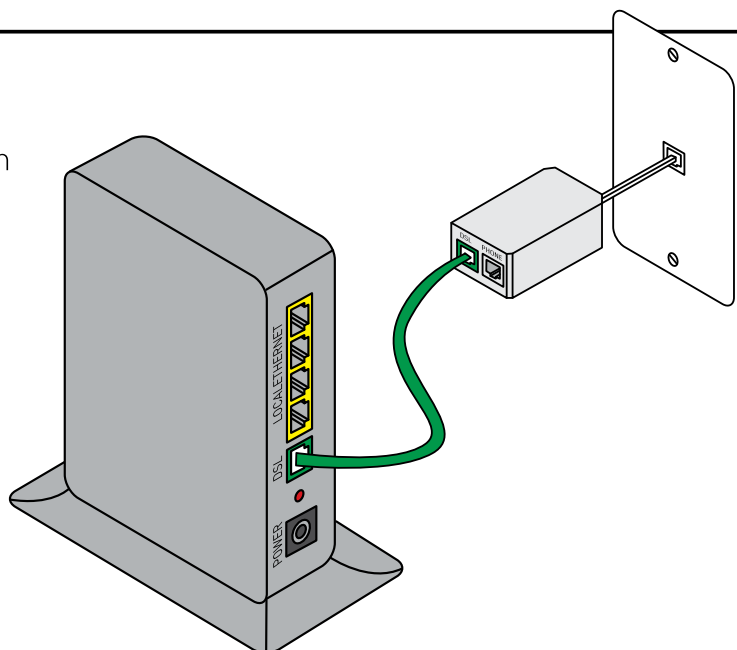
**2**

Plug the supplied splitter into the phone jack on the wall near your computer. If you have a telephone, fax machine or any other phone device at this location, re-plug it into the port on the splitter labeled "PHONE."



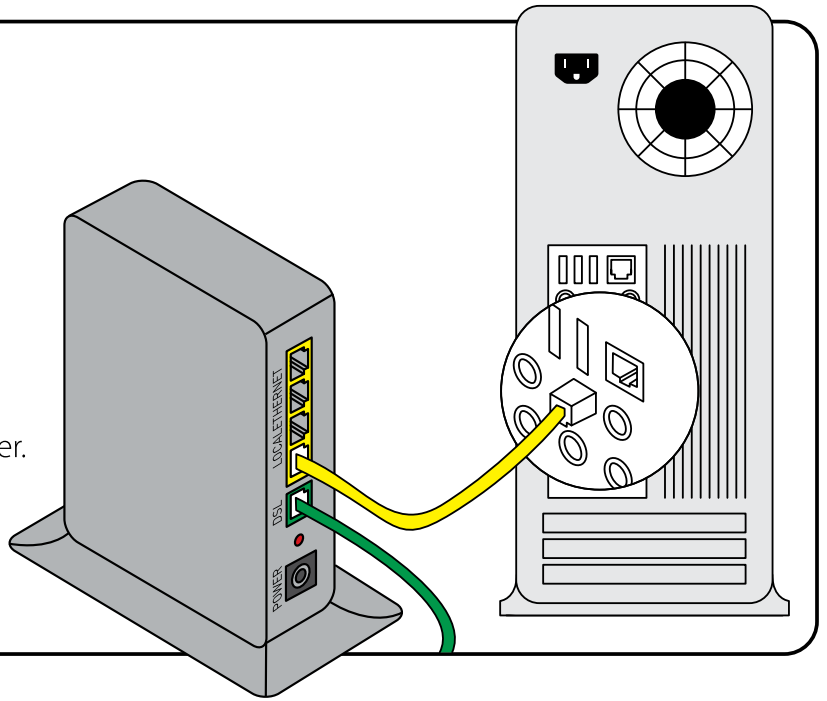
**3**

Plug either end of the green phone cable into the green "DSL" port of the splitter. Plug the other end into the "DSL Broadband" port of the modem.



4

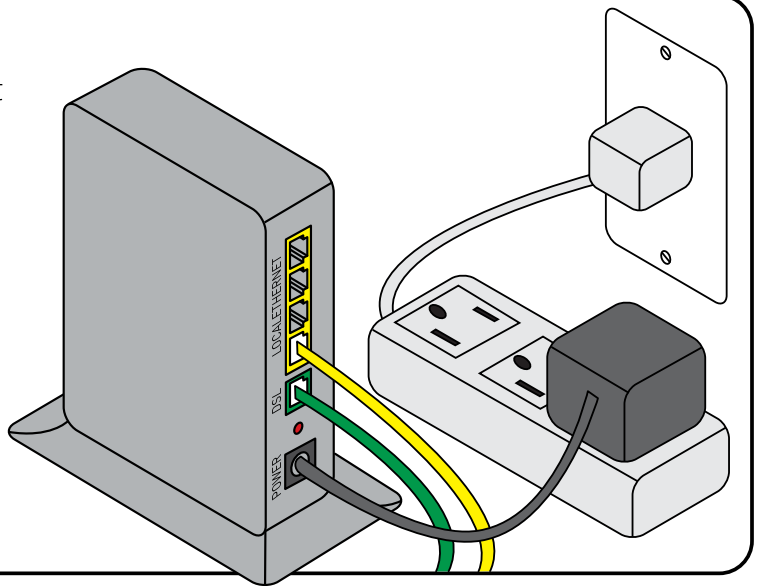
Plug either end of the yellow Ethernet cable into any "LOCAL ETHERNET" port on the modem. Plug the other end into the "ETHERNET" port on your computer.



5

Plug the power cord into the "POWER" port on the modem. Plug the other end into a surge-protected power outlet.

**IMPORTANT:** Speed and stability will be tuned automatically during the first two weeks, so please leave the modem plugged in and turned on!



6

## WIRELESS NETWORK

The wireless network name (SSID) and Wi-Fi network key are printed on the side of the modem. In the wireless network settings for your portable device, find the matching network and select it, and you will be prompted to enter the Wi-Fi key.

EXAMPLE:

SN: 123456789012	SSID: Sonic.net-###	MODEL: 4111N
		4111N-030 ASK
PN: 4201-034000-000	Wi-Fi Key: #####	
	Default System Password: #####	
MAC: AA:BB:CC:DD:EE:FF	For Advanced Configuration:	
	<a href="http://gateway.sonic.net">http://gateway.sonic.net</a>	